



Metal tile sheet Tysenia



Product
data sheet



scan the QR code
and see a 3D model



General information

Metal tile sheets are among the most commonly used roofing materials in residential, religious, economic, and public utility buildings. Our products are formed on the model of classic tiles, and combine tradition and modernity. They are more and more often selected as permanent covering, both in new construction and renovation.

Minimalist, austere look of the metal roofing tile harmonises with the current architectural trends, whereas its flat shape guarantees its universal application. The straightforward form of TYSENIA is decorated with sophisticated triple crease and it is characterised by a low – 2.5 mm profile.

Advantages and properties

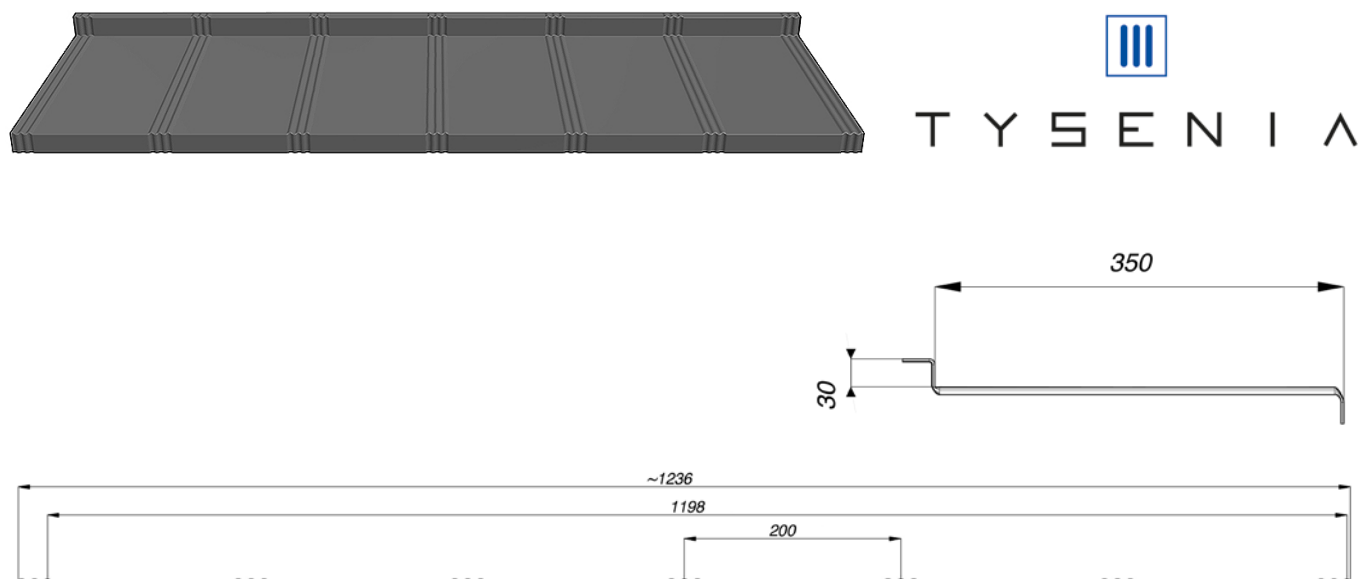
TYSENIA – monomodular flat metal roofing tile by BLACHOTRAPEZ was designed according to the newest market trends. Its modern flat form perfectly matches the concepts of contemporary architecture. Thanks to its characteristic low profile with a subtle triple crease TYSENIA fascinates by its minimalist look. As a result, the new metal roofing tile combines the innovative design and the ergonomic shape with the highest steel quality. Wide range of product colours is available as well.


TYSENIA can be installed not only as a roofing but as an original façade finishing as well. Moreover, the flat roofing tile is light and therefore works well not only in the modern housing but also in cases of renovating the roofs of old buildings.

Technical details

Total width:	~1236 mm	Step length - Module:	350 mm
Effective width:	1198 mm	Sheet length:	373 mm
Height of the tile step- offset:	30 mm	Pitch:	200 mm
Profile depth:	2,5 mm	Thickness of the finished product (Steel):	0,5 mm

Tylenia - Dimensions, Cross section and longitudinal section.




 Application

Metal tile sheets are delivered in the form of ready-made elements, and are used for roofing with a slope of not less than 25°. The modules manufactured by Tysenia can also be installed as façade finishing. These sheets are used as finishing and safety elements in buildings. Tile sheet must be used in accordance with technical projects of buildings, and the manufacturer's installation instructions and recommendations, standards and technical and construction regulations.

Remove the anti-condensation barrier at the joints between the sheets and butting up to the eaves by cutting, so that water and moisture from the outside is not absorbed into the layer of material.

Blachotrapez recommends to purchase all materials required for one investment under one purchase order. Otherwise it is possible that the colour shades and texture will vary which shall not be attributable to the Manufacturer.

The applied material has a wide range of applications due to the environmental classification, which is confirmed by a long warranty period depending on material (see the separate warranty form uploaded to our website www.blachotrapez.eu)

 Research results / documentation

All of our products have a Declaration of Performance made on the basis of Standards and Regulations related to construction products in force.

We also have Hygienic Certificate No. B-BK-60211-1315/19 issued in 2020 by the National Institute of Hygiene (PZH).

These documents are issued to implemented orders. In order to obtain them, please contact the Quality Control Department - the scheme of procedures is provided on our website.


 SPS

We inform that to meet customers' needs, Blachotrapez has introduced a global-scale unique technology known as SPS - Safe Profiling System. The implementation of an innovative profiling system of metal sheet was made possible through many years of observations, analyses and research conducted by our experts in cooperation with suppliers of steel, and new technologies. **It is worth noting that the SPS system is patent protected as an innovative solution on the market.**

The technological SPS process allows profiling steel material under optimum climatic conditions - independent of the ambient temperature. With its use, raw materials can be perfectly plasticised, and this especially goes for paint coatings. Key benefits that SPS technology brings is primarily acquisition of such properties and parameters that increase the durability of the material supplied by our company and the quality of its execution. The applied technology makes the coating material extremely resistant to the destructive effects of external factors, corrosion and damage. Simultaneously, it does not lose its properties, ensuring effective roof protection and high aesthetic values for many years to come. With all these factors resulting from the use of SPS, we have achieved the greatest success - extension of the warranty period.

The innovative SPS technology was first used in a production process at Blachotrapez already in 2014, when we extended the warranty period for our key vendor - ThyssenKrupp Steel Europe.

We can fully recommend the SPS system as a technology that allows achieving the highest durability of sheet metal and increasing resistance to corrosion and damage. The roof will have its functions for a longer time, ensuring comfort to its residents.

 Additional information

For all types of profiles we have properly prepared instructions for transport, storage, cutting and maintenance of sheet metal. To familiarize yourself with the content, please visit www.blachotrapez.eu and contact our Technical and Trade Consultants or branches of our company - addresses can also be found on our website.

We also have numerous awards and certificates for both our raw materials and ready-made products, which you can read on our website www.blachotrapez.eu